



ADVANTAGES

- ▶ Easy to Deploy
- ▶ High Definition
- ▶ Multi Platform Support
- ▶ PCT Multi-touch Film
- ▶ Flexible Installation
- ▶ Durable and Professional Embedded Design



VESA



PCAP



Full HD
FHD LED



7H Hardness

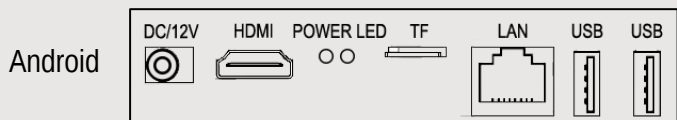
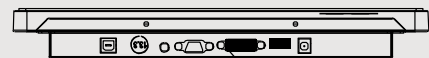
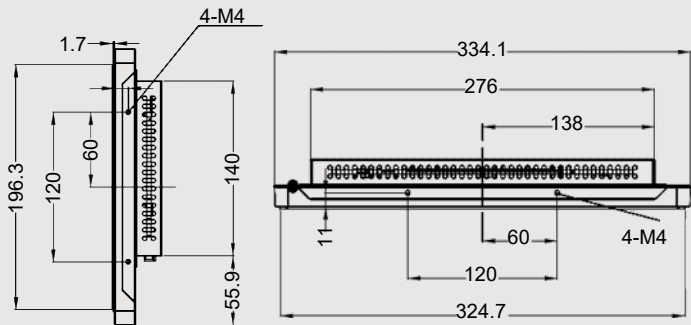
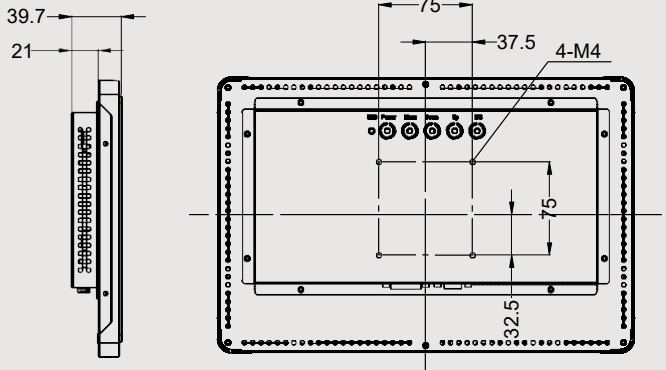
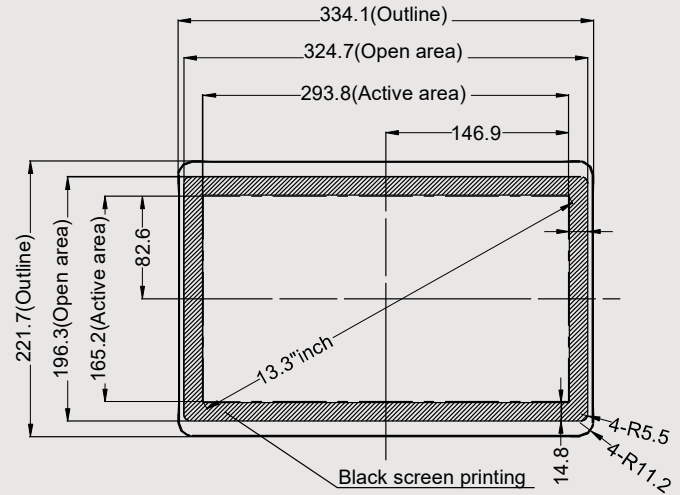


Windows OS



Android OS

> LCD Panel	
Backlight	LED
Brightness	300 cd/m ²
Contrast Ratio	800:1
Viewing Angle	H:170° / V:170°
Response Time	30 ms (GTG)
Supported Colors	262K Colors
Display Resolution	1920 x 1080 (16:9)
Display Frame Rate	60Hz
Input Resolution	1920 x 1080 @ 60Hz(Analog) 1920 x 1080 @ 60Hz(Digital)
> Touch	
Touch points	10
Touch technology	Projected Capacitive (PCT)
> Mechanical	
Dimensions	334.1 x 221.7 x 39.7 mm
Package Dimension	TBD
Weight(approximately)	3 kg / 4 kg
Wall Mount Type	VESA, MIS-D,75,C
Connector	1x VGA /1x DVI /1x HDMI
Operation	0 °C ~ 50 °C, 90% RH
Storage	-20 °C ~ 60 °C, 90% RH
> Electrical	
Power Supply	DC in: DC 12V 5A Max
Normal Operation	≤ 10W (typ.)
Power Off	≤ 2 W (typ.)
Internal Speaker	no
> Android(Options)	
CPU	RK3288 Cortex-A17
Memory	2GB DDR3
ROM	8GB EMMC NAND
Connector	2xUSB /1xLAN /1xHDMI / 1xTF
Options	Signage Software



FENIX IMVICO, S.A.
 Pacifico, 53-55
 08027 Barcelona
 Phone: +34-93-3539222
 Fax: +34-93-3539721
 E-mail: BCN@feniximvico.com