



ADVANTAGES

- ▶ Easy to Deploy
- ▶ High Definition
- ▶ Multi Platform Support
- ▶ PCT Multi-touch Film
- ▶ Flexible Installation
- ▶ Durable and Professional Embedded Design



Ver:Jun2018_1

> LCD Panel

Backlight	LED
Brightness	250 cd/m ²
Contrast Ratio	1000:1
Viewing Angle	H:170° / V:160°
Response Time	5 ms (GTG)
Supported Colors	16.7M Colors
Display Resolution	1280 x 1024 (4:3)
Display Frame Rate	60Hz
Input Resolution	1280 x 1024 @ 60Hz(Analog) 1280 x 1024 @ 60Hz(Digital)

> Touch

Touch points	10
Touch technology	Projected Capacitive (PCT)

> Mechanical

Dimensions	431 x 355.8 x 42.5 mm
Package Dimension	531 x 155 x 473 mm
Weight(approximately)	6 kg / 8 kg
Wall Mount Type	VESA,MIS-D,75/100,C
Connector	1x VGA /1x DVI /1x HDMI
Operation	0 °C ~ 50 °C, 90% RH
Storage	-20 °C ~ 60 °C, 90% RH

> Electrical

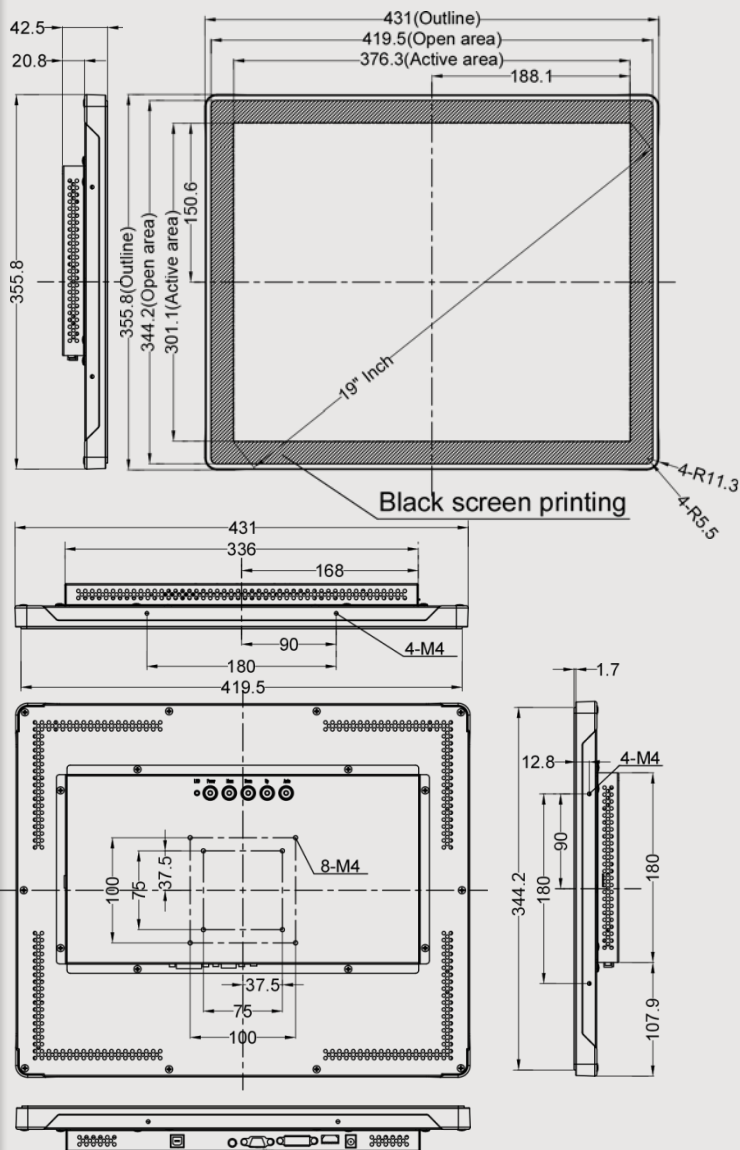
Power Supply	DC in: DC 12V 5A Max
Normal Operation	≤ 16W (typ.)
Power Off	≤ 2 W (typ.)
Internal Speaker	no

> Android(Options)

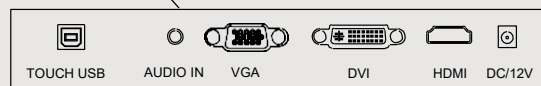
CPU	RK3188 Cortex-A9 RK3288 Cortex-A17
Memory	2GB DDR3
ROM	8GB EMMC NAND
Connector	2xUSB /1xLAN /1xHDMI / 1xTF
Options	Signage Software

> Windows(Options)

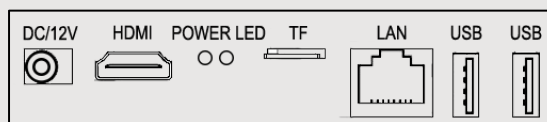
CPU	Celeron 3855U 1.6GHz i3 4005U 1.7GHz i5 4250U 1.3GHz
GPU	Intel® HD Graphics
Memory	4GB DDR3
Disk	120G SSD
LAN	LAN 10/100/1000 Mbps
WIFI	802.11 b/g/n
Connector	4xUSB /1xLAN /1xHDMI



Monitor



Android



Windows



FENIX IMVICO, S.A.
Pacífico, 53-55
08027 Barcelona
Phone: +34-93-3539222
Fax: +34-93-3539721
E-mail: BCN@feniximvico.com